

(HV) Height adjustment
+/-2 mm

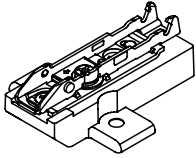
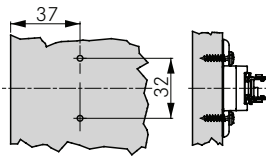
(SV) Side adjustment
+/-2 mm

(TV) Depth adjustment
+3/-2 mm

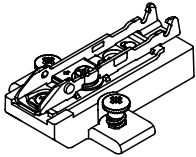
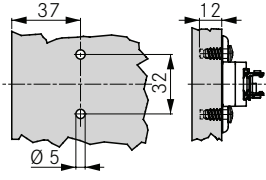
All adjustments can be carried out independently of each other.

ORDER INFORMATION

1D CROSS MOUNTING PLATE, 2-POINT SCREW FIXING

For screw fixing	37/32	Height	Art.-no.
<ul style="list-style-type: none"> Zamak/steel, nickel-plated Fixing with wood screws \varnothing 3.5 x 15 mm With convenient height adjustment (HV) via worm gear 		6	F058139892
		8	F058139886
		9	F058139887
		9.5	F058139888
		12	F058139893
		14	F058139889
		15	F058139890
		15.5	F058139891
		19	F058139894
21	F058139895		

1D CROSS MOUNTING PLATE, 2-POINT FIXING

With pre-assembled Euro screws (13.5 mm)	37/32	Height	Art.-no.
<ul style="list-style-type: none"> Zamak/steel, nickel-plated Fixing with pre-assembled Euro screws \varnothing 6.3 x 13.5 mm With convenient height adjustment (HV) via worm gear 		6	F058139873
		8	F058139880
		9	F058139881
		9.5	F058139882
		12	F058139874
		14	F058139883
		15	F058139884
		15.5	F058139885
		19	F058139875
		21	F058139896